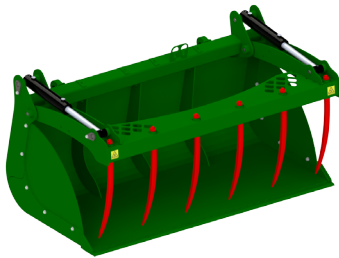


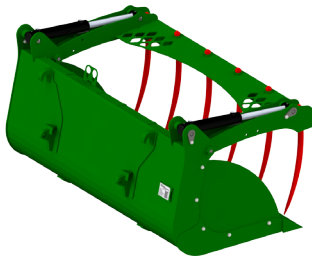
## Hydraulic Bucket Grab

The **Cashels Hydraulic Fork and Bucket Grabs** are designed for use on tractor loaders. **Bucket Grabs** have become the most popular tool fitted to tractor loaders because of their versatility in handling all types of material across a broad range of sectors.

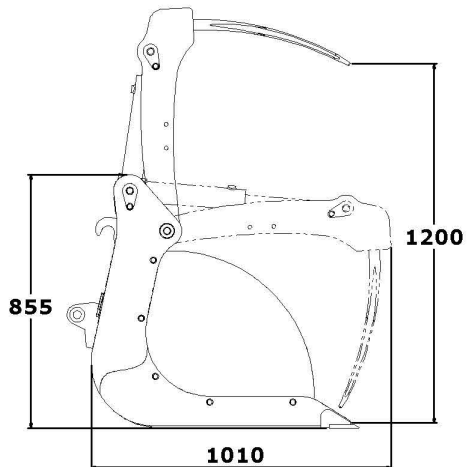
**Cashels Bucket Grabs** have been designed for use in the agricultural, amenity, construction and recycling sectors. The bucket section is uniquely designed for optimum strength and durability with removable sides for increased versatility when required. The fork grab section is also uniquely constructed and is fitted with curved stone fork tines.



**BG1700 Model**



**BG1700 Model**



(Measurements applicable for all models.)

### Key Features:

- Unique design for optimum strength and durability.
- CAT 1 stone fork tines & bushings. (Optional CAT 2 tines available upon request)
- Hardened cutting edge fitted to bucket section.
- Removable sides on bucket section for increased versatility.
- Tine Lengths: 680mm (27").
- Tine Centres: 300mm (12").
- Various linkage options available.

Model	Length	Width	Height	Opening Height	Load Capacity	Unladen Weight	Tines
<b>BG 1500</b>	1010mm (40")	1500mm (59")	855mm (34")	1200mm (47")	0.60 m <sup>3</sup>	330kg (726lbs)	5 x Curved
<b>BG 1700</b>	1010mm (40")	1700mm (67")	855mm (34")	1200mm (47")	0.65 m <sup>3</sup>	360kg (792lbs)	6 x Curved
<b>BG 2000</b>	1010mm (40")	2000mm (78")	855mm (34")	1200mm (47")	0.75 m <sup>3</sup>	400kg (880lbs)	7 x Curved